

PINION MARKED +

READING # 1 _____

READING # 2 _____

TOTAL _____

DIVIDED BY 2 = _____

AVERAGE _____

PINION MARKING - _____

SHIM SIZE = _____

PINION MARKED -

READING # 1 _____

READING # 2 _____

TOTAL _____

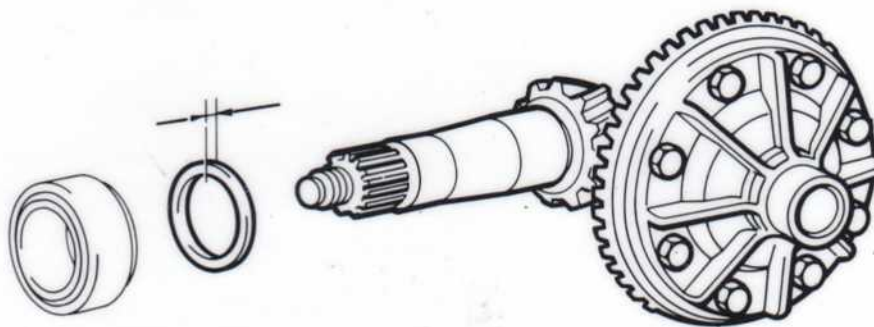
DIVIDED BY 2 = _____

AVERAGE _____

PINION MARKING + _____

SHIM SIZE = _____

PINION SHIM SIZE



Thickness range of pinion nut adjustment shims

- 0.106, 0.108, 0.110, 0.112, 0.114, 0.116, 0.118,
- 0.120, 0.122, 0.124, 0.126, 0.128, 0.130,
- 0.132 in.
- (2.55, 2.60, 2.65, 2.70, 2.75, 2.80, 2.85, 2.90,
- 2.95, 3.00, 3.05, 3.10, 3.15, 3.20, 3.25, 3.30,
- 3.35 mm)

SALISBURY TYPE DIFFERENTIAL SPECIFICATIONS

Type		semi-floating	
Pinion and ring gear set		hypoid	
Ratio		<u>BRAVA</u>	<u>SPIDER</u>
	1975	9/40	N/A
	1976	9/40	N/A
	1977	Manual	10/41
		Auto	9/40
	1978	Manual	10/41
		Auto	9/40
	1979 + subsequent	Manual	10/39
		Auto	12/43

Pinion bearings	two
Bearing type	taper roller
Bearing preload adjustment	by tightening pinion nut
Pinion rolling torque	14 to 17 in. lbs. (16 to 30 kg cm)

Differential bearings	two
Bearing type	taper roller
Adjustment	by shims
Thickness range of different adjustment shims	From 6.52 to 7.48 mm in 0.02 mm steps
Differential bearing preload	0.004 in. (0.10 mm)
Differential side gear adjustment	by shims
Thickness range of side gear adjustment shims033, .035, .037, .039, .041, .043, .045, .047, .049, .051, .071, .073, .075, .077, .079, .081, .083 in. (.85, .90, .95, 1.00, 1.05, 1.10, 1.15, 1.20, 1.25, 1.30, 1.80, 1.85, 1.90, 1.95, 2.00, 2.05, 2.10 mm)
Rolling torque of one side gear with differential case free and other side gear blocked	22 to 36 ft. lbs. (3 to 5 kgm)
Pinion and ring gear	matched set
Pinion and ring gear backlash	0.00315 to 0.00511 in (0.08 to 0.13 mm)

FILL-UP DATA

Lubricant	QUANTITY		
	LT.	Kg	U.S. Units
SAE 80 W/90 EP to MIL-L-2105B	1.3	1.2	1.4 qt.

TIGHTENING REFERENCE

DESCRIPTION	THREAD (METRIC)	MATERIAL	TORQUE	
			FT. LB.	kgm
Bolt, axle shaft retaining plate to housing	M10 x 1.25	R80 Znt	36	5
Bolt, differential cover to housing	M8	R80 Znt	18	2.5
Bolt, caps to differential carrier	M10 x 1.25	R80	36	5
Bolt, ring gear to carrier	M10 x 1.25	40 Ni Cr Mo2 R 120 to 135	72	10